

## HWT-E6440-Z25

25X 4MP 150m IR Network PTZ Camera



### Features

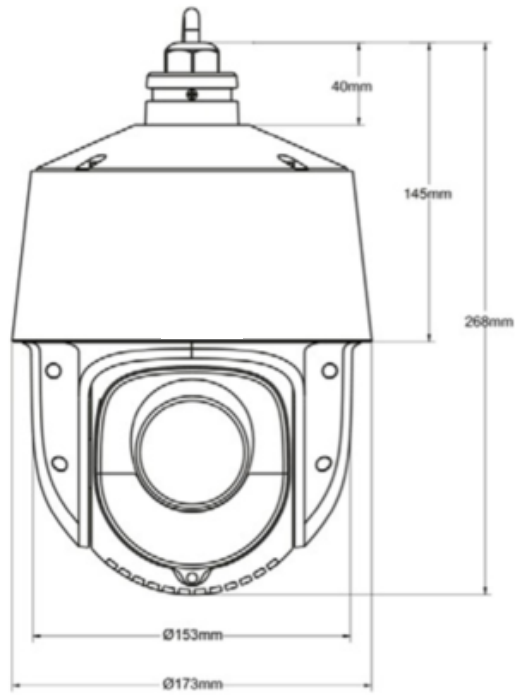
- ▶ 1/2.7" progressive scan CMOS
- ▶ Up to 2560x1440 resolution
- ▶ Min. illumination:  
Color: 0.01 lux @ (F1.6 AGC ON)  
B/W: 0.002Lux @(F1.65 AGC ON)  
0 Lux with IR
- ▶ 25x optical zoom, Accurate and fast focusing
- ▶ 120dB WDR, 3D DNR, Smart IR 150m
- ▶ Smart H.265/H.264
- ▶ ONVIF
- ▶ IP66, -40°C ~60°C
- ▶ DC12V or PoE+ (802.3.at)


**Technical Specifications**

Model		HWT-E6440-Z25
Major Specifications		
Camera	Focal length	4.8-120mm
	Max Aperture	F1.65(W) to F3.8(T)
	Image sensor	1/2.7" CMOS
	Lens aperture type	Auto DC-IRIS
	Angle of view	Horizontal: 55° ~2.4° Vertical: 33° ~ 1.4° Diagonal: 61.5° ~ 2.8°
	IR range	150m
PTZ	PTZ rotation angle	Pan Range: 360° Tilt Range: -5° to 90°
	Pan speed	Configurable, from 0.1~200°/s; Preset speed: 240°/s
	Tilt speed	Configurable, from 0.1°~ 200°/s, Preset speed: 240°/s
	Park action	Support
	Tour	Support
	Preset position	360
	Home position	One home position
Image		
Codec	Video encoding format	H.265/H.264+/H.264/MJPEG
	Video encoding channels	Triple streams
	Video frame rate	Main stream: 50Hz: 25fps: 2560×1440,1920×1080,1280×960,1280×720, 60Hz: 30fps: 2560×1440,1920×1080,1280×960,1280×720 Sub stream: 50Hz: 25fps: (704 × 576, 640 × 480, 352 × 288) 60Hz: 30fps (704 × 480, 640 × 480, 352 × 240) Third Stream: 50Hz:25fps (1920 × 1080, 1280 × 960, 1280 × 720, 704 × 576, 640 × 480, 352 × 288) 60Hz:30fps (1920 × 1080, 1280 × 960, 1280 × 720, 704 × 480, 640 × 480, 352 × 240)
Image ISP	Min illumination	Color 0.01Lux @ (F1.65 AGC ON) B/W 0.002Lux @(F1.65 AGC ON);0Lux with IR
	Day/Night mode	Removable IR Cut filter
	WDR	120 dB
	White balance	Auto/Manual/Indoor/Outdoor
	Highlight compensation	Support
	Digital noise reduction	Auto/Manual
	Defogging	Support
EIS	Not Support	

Networking		
Network transmission	Protocols	HTTP, HTTPS, IPv4/IPv6, 802.1x, QoS, FTP, SMTP, UPnP, SNMP, DNS, DDNS, NTP, RTSP, RTCP, RTP, TCP/IP, UDP, IGMP, ICMP, DHCP, PPPoE
Security		
Data security	Security Measures	User authentication (ID and PW), Host authentication (MAC address); HTTPS encryption, IEEE802.1x port-based network access control; IP address filtering
Port		
Storage port	Support microSD, up to 256G	
Alarm port	1 Alarm input(Dry contact); 1 Alarm output	
Network port	1 RJ45 10M/100M Adaptive Ethernet ,Support PoE+( 802.3.at)	
Audio port	1 audio input(MIC in); 1 audio output, line level, impedance,600Ω	
General Specifications		
Power type	DC12V or PoE+ (802.3.at)	
Power consumption	Max 23W	
Operating temperature	-40°C ~ 60°C (-40°F ~ 140°F)	
Operating humidity	90%RH (non-condensing)	
Surge protection	4000V Lightning Protection, Surge Protection and Voltage Transient Protection	
IP rating	IP66	
Material	Aluminum Alloy + Plastic	
Weight	Approx. 2.1 Kg(13.22 lb.)	
Dimensions	Φ 173mm × 247mm ( 6.8" Φ × 9.7")	

## Dimensions



## ACCESSORIES



ACC0808  
Wall mounting bracket



ACC0808+ACC0501  
Pole mounting bracket



ACC0808+ACC0601  
Corner mounting bracket



ACC0807  
Pendant mounting bracket